

Bow Wow Barrier™ User's Guide by Smart Retract

Safety for your pets, peace of mind for you - DON'T OPEN THE DOOR WITHOUT ONE!

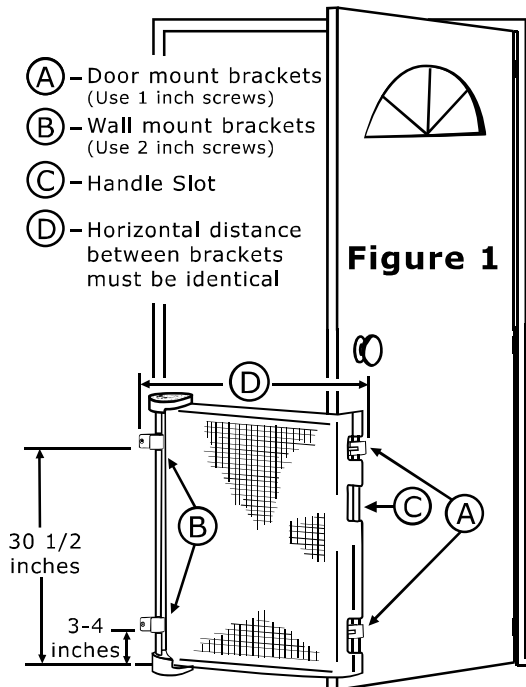


Figure 1

About Us:

Smart Retract, the makers of the Bow Wow Barrier and Retract-A-Gate, represents a new generation of American made, smart, retractable products for your home or business. The Bow Wow Barrier automatically opens when your door is opened to keep pets from running outside. As you close your door, the barrier automatically retracts – 100% hands free! Visit us at SmartRetract.com

Parts Included: 1 barrier, 4 brackets, screws* & washers

Tools Needed: #2 Phillips screwdriver, measuring tape, pencil, level

*The Bow Wow Barrier comes with both 1" and 2" screws.

The 1" screws are sized to attach the brackets to most doors.

The 2" screws are used to attach the brackets to the wall.

Read this entire User's Guide before starting your installation.

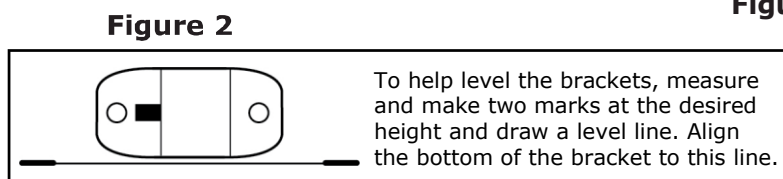


Figure 2

Figure 3



- 1. Installing the brackets:** The four brackets must be mounted so each bracket is level and horizontal (**Fig. 2**). If the barrier is mounted into hardwood or metal wall studs, predrilled 7/64 inch pilot holes will be required for mounting the wall brackets. Always drive the screws by hand to avoid damage - **never use a power driver**.

Wall Side (use 2" screws): If the bottom bracket is mounted **on** a baseboard, a wall spacer (equal to the baseboard thickness) is required under the upper wall bracket. If the bottom bracket is mounted **above** the baseboard, you may need wall spacers under both of the brackets to avoid interference between the bottom of the pet barrier and the baseboard. 5/8" thick Wall Spacer Sets can be purchased from our web site.

- a) Install the top wall bracket first, so that the bottom of the bracket is mounted about 30½ inches off the floor and **level** with the floor (**Fig. 2**). Make sure the screws penetrate a minimum of one inch of solid wood or wall stud and are positioned in the washer (**Fig. 3**). **Do not over tighten the screws**; they should be snug and slightly recessed in the washer.
- b) Mount the lower wall side bracket next so that the **bottom** of the bracket is between 3-4 inches off the floor, level, and plumb (directly beneath the upper bracket).

Door Side (use 1" screws): Repeat steps a) and b) for the other two brackets mounted on the door. Make sure the horizontal distance between the top brackets and bottom brackets are equal (**Fig. 1-D**).

- 2. Installing the pet barrier:** Snap the barrier into the wall side brackets and place the handle rod into the door side brackets, keeping the base of the barrier against the floor. The Bow Wow Barrier is now ready for use. When you open the door the barrier will retract and extend on its own.

Maintenance and Considerations:

- The Bow Wow Barrier can be cleaned with soap and water as needed. Allow to dry thoroughly.
- Do not use the Bow Wow Barrier if any components are damaged or missing.
- Never step over or attempt to crawl under the pet barrier.

Warranty: Your Bow Wow Barrier is warranted to be free from defects in materials or workmanship for a period of one year from the date of purchase to the original owner. Wear and tear or damage is not covered.

Optional Accessories: Please visit our website at BowWowBarrier.com/accessories for more information on accessories available to use with your Bow Wow Barrier.

Website: www.SmartRetract.com
Email: info@SmartRetract.com
Phone: (563) 588-2530

Smart Retract
2530 Kerper Blvd.
Dubuque, IA 52001 USA