

Wall Spacer Installation Guide by Smart Retract

When to use spacers:

Spacers may be required during the installation of either a Retract-A-Gate or a Bow Wow Barrier. The distance between brackets across the opening X and Y (see **Figure 1**) *must* be identical for proper operation of the barrier. Use spacers to adjust the distance. Two common scenarios for when spacers are required are shown in Figures 2 and 3.

Parts Included: Two 5/8 inch thick wall spacers

Important Installation Dimensions

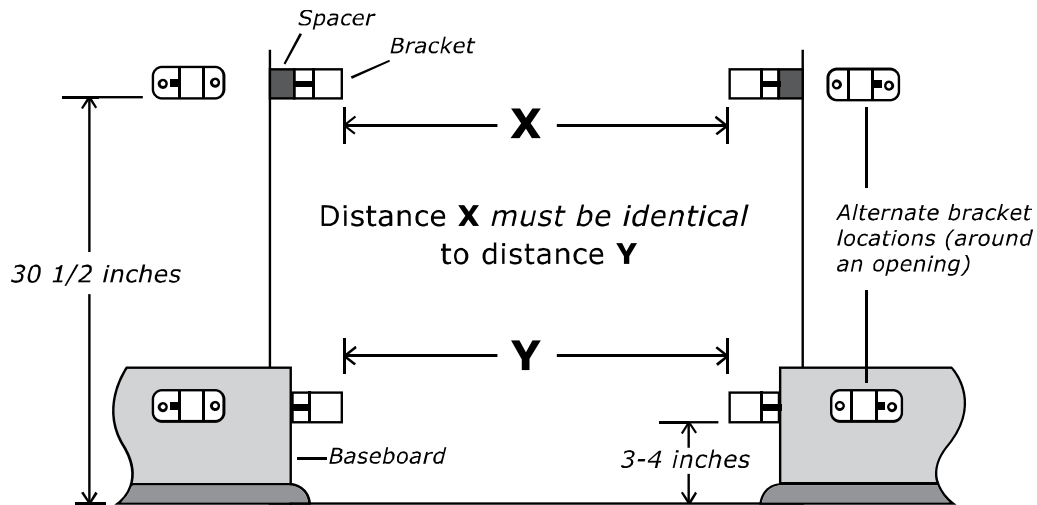


Figure 1

Baseboard less than 4 inches tall
(2 spacers needed per side)

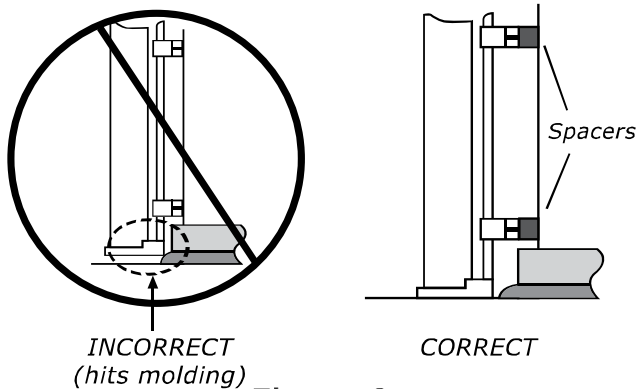


Figure 2

Baseboard more than 4 inches tall
(1 spacer needed per side)

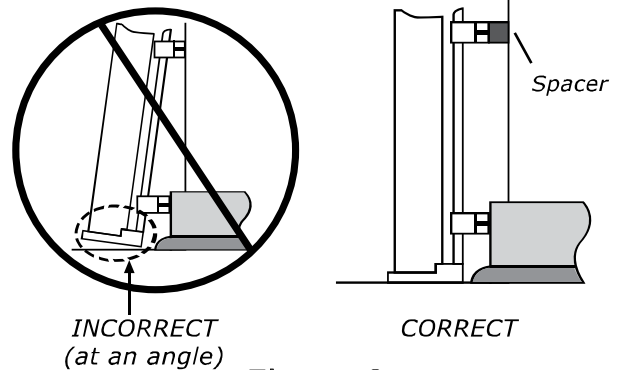


Figure 3

Website: www.SmartRetract.com
Email: info@SmartRetract.com
Phone: (563) 588-2530

Smart Retract
2530 Kerper Blvd.
Dubuque, IA 52001 USA